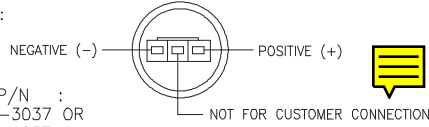


NOTES: UNLESS OTHERWISE SPECIFIED.

1. LABEL PER CUSTOMER SPECIFICATION
2. CONNECTIONS POLARITY :

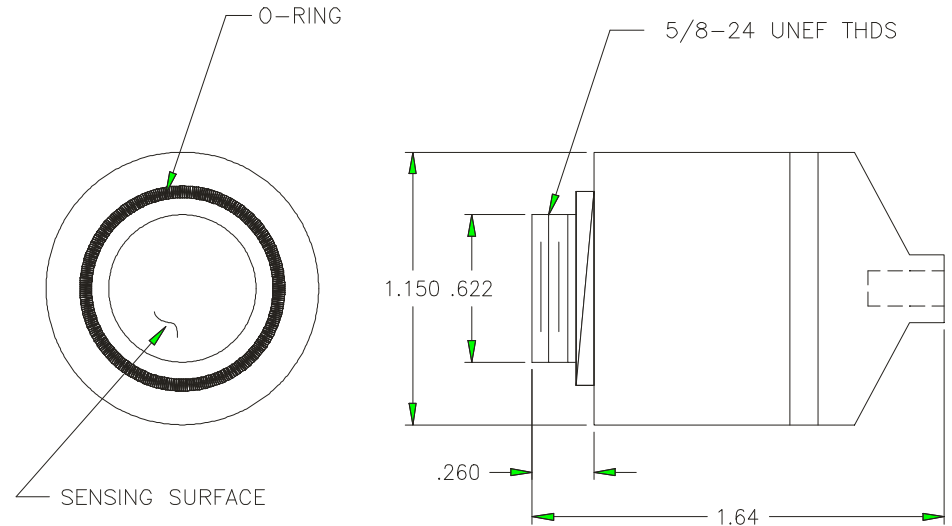


MATING PLUG- MOLEX P/N :
22-01-3037 OR
22-01-2037

3. TEMPERATURE COMPENSATION ERROR IS $\pm 5\%$ OF FULL SCALE OVER THE OPERATING TEMPERATURE RANGE. WORST CASE TRACKING ERROR (WITHIN THE FIRST HOUR AFTER A MAXIMUM TEMPERATURE STEP) IS $\pm 10\%$ OF FULL SCALE. (GAS SAMPLES MUST BE BROUGHT TO AMBIENT TEMPERATURE) PERCENT READOUT IS ONLY WITHIN $\pm 1\%$ AT CONSTANT PRESSURE (E.G. A 10% INCREASE IN PRESSURE WILL RESULT IN A 10% INCREASE IN FULL SCALE).
4. ASSEMBLY TO BE PACKAGED IN A GAS BARRIER BAG.
5. ASSEMBLY MANUFACTURED AND TESTED TO MPD61679.

SPECIFICATIONS:

1. OUTPUT - (7-13MV) IN AIR 25°C AT SEA LEVEL.
2. RANGE - 0-100% OXYGEN (MAX), 0-1% OXYGEN (MIN).
3. RESPONSE TIME - LESS THAN 6 SEC. FOR 90% OF FINAL VALUE.
4. OPERATING TEMPERATURE RANGE - 0° TO 40°C (32° TO 104°F)
5. AVG EXPECTED CELL LIFE - 36 MONTHS IN AIR AT 25°C, 50% R.H.
6. STORAGE TEMPERATURE - 0° TO 50°C (32° TO 122°F)
7. HUMIDITY - 0 TO 99% RH (NON-CONDENSING).
8. ACCURACY - WITHIN $\pm 1\%$ OF FULL SCALE AT CONSTANT TEMPERATURE AND PRESSURE (SEE NOTE 3)
9. WEIGHT - 1.2 OZ (32 GM)
10. OFFSET - $\leq 0.1\%$ O₂ IN ≤ 30 SECONDS FOR A STEP CHANGE FROM AIR TO 0% O₂.
11. REQUIRED LOAD 10K



REVISIONS				
REV	DESCRIPTION	DATE	APP.	REV. BY
6	ECO# 94-503	09/01/94	JML	--
7	ECO# 96-0713	6-11-97	M.G.	JCR

DO NOT SCALE DWG		THIS DRAWING IS THE PROPERTY OF TELEDYNE ANALYTICAL INSTRUMENTS AND CONTAINS CONFIDENTIAL INFORMATION. IT IS NOT TO BE COPIED, REPRODUCED OR USED WITHOUT WRITTEN PERMISSION.		
TOLERANCE UNLESS OTHERWISE SPECIFIED: ANGULAR $\pm 1/2^\circ$		 Teledyne Analytical Instruments A business unit of Teledyne Electronic Technologies CITY OF INDUSTRY, CALIFORNIA 91748		
LINEAR $\begin{cases} .X & = \pm .1 \\ .XX & = \pm .02 \\ .XXX & = \pm .010 \end{cases}$				
SIGNATURES	DATE	TITLE	SCALE	NONE
N/ DRFT: L. GARCES	04/28/93	SPEC CONTROL DWG OXYGEN SENSOR CLASS R21A	SIM	NONE
I/ CHK:			SHEET	1 OF 1
P/ APPR:			MATL.	NOTED
O/ ENGR: JAY LAUER			DWG NO.	B-56358
F/ S.O.:			REV	7
REFERENCE	CAD I.D. B56358-7			