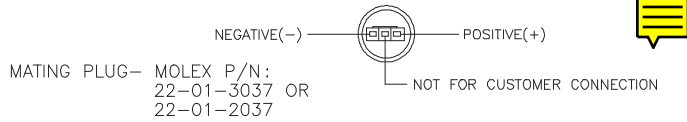


NOTES: UNLESS OTHERWISE SPECIFIED.

1. LABEL PER CUSTOMER SPECIFICATION
2. CONNECTIONS POLARITY :

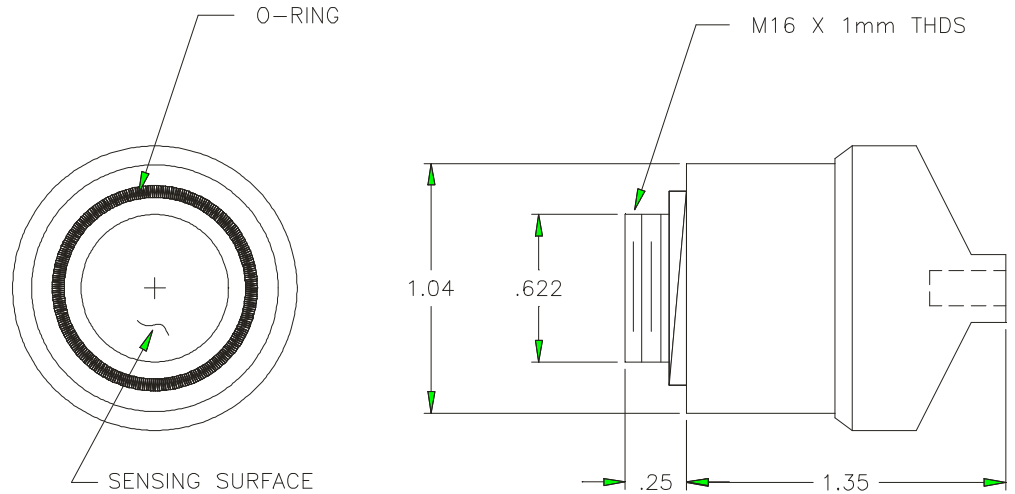


3. TEMPERATURE COMPENSATION ERROR IS  $\pm 5\%$  OF FULL SCALE OVER THE OPERATING TEMPERATURE RANGE. WORST CASE TRACKING ERROR (WITHIN THE FIRST HOUR AFTER A 10°C TEMPERATURE STEP) IS  $\pm 7.5\%$  OF FULL SCALE. (GAS SAMPLES MUST BE BROUGHT TO AMBIENT TEMPERATURE) PERCENT READOUT IS ONLY WITHIN  $\pm 1\%$  AT CONSTANT PRESSURE (E.G. A 10% INCREASE IN PRESSURE WILL RESULT IN A 10% INCREASE IN READING).
4. ASSEMBLY TO BE PACKAGED IN N<sub>2</sub>, IN A GAS BARRIER BAG.
5. ASSEMBLY MANUFACTURED AND TESTED TO MPD61679.

SPECIFICATIONS:

1. INITIAL OUTPUT - (10-15 mV) IN AIR 25°C AT SEA LEVEL.
  2. RANGE - 0-25% OXYGEN
  3. RESPONSE TIME - LESS THAN 30 SEC. FOR 90% OF FINAL VALUE
  4. OPERATING TEMPERATURE RANGE - 0° TO 40°C (32° TO 104°F)
  5. AVG EXPECTED CELL LIFE - 6 MONTHS IN AIR AT 25°C & 50% RH
  6. STORAGE TEMPERATURE - 0° TO 50°C (32° TO 122°F)
  7. HUMIDITY - 0 TO 99% RH (NON-CONDENSING).
  8. ACCURACY - WITHIN  $\pm 5\%$  O<sub>2</sub> AT CONSTANT TEMPERATURE AND PRESSURE (SEE NOTE 3)
  9. WEIGHT - 0.7 OZ (21 GM)
  10. OFFSET - LESS THAN 0.5% OXYGEN EQUIVALENT AT 25°C (77°F) IN ZERO GAS AFTER 3 MINUTES.
  11. APPLICATION - FOOD TRANSPORT IN CO<sub>2</sub> CONTAINING GAS MIXTURE.
- \* OUTPUT WILL NORMALLY DROP OVER TIME. (30-40% IN 60 MONTHS).

REVISIONS				
REV	DESCRIPTION	DATE	APP.	REV. BY
0	REL PER ECO 97-0765	10-15-97	JML	--



ITEM	QTY	PART No.	DESCRIPTION
BILL OF MATERIAL			
DO NOT SCALE DWG		THIS DRAWING IS THE PROPERTY OF TELEDYNE ANALYTICAL INSTRUMENTS AND CONTAINS CONFIDENTIAL INFORMATION. IT IS NOT TO BE COPIED, REPRODUCED OR USED WITHOUT WRITTEN PERMISSION.	
TOLERANCE UNLESS OTHERWISE SPECIFIED: ANGULAR $\pm 1/2^\circ$		 Teledyne Analytical Instruments A business unit of Teledyne Electronic Technologies CITY OF INDUSTRY, CALIFORNIA 91748	
LINEAR $\begin{cases} .X & = \pm .1 \\ .XX & = \pm .02 \\ .XXX & = \pm .010 \end{cases}$			
SIGNATURES	DATE		
N/	DRFT: VFig	10/7/97	SCALE NONE SIM NONE SHEET 1 OF 1 SPEC CONTROL DWG OXYGEN SENSOR CLASS R28FT MATL. NOTED DWG NO. <b>B-67723</b> REV 0
I/	CHK:		
P/	APPR:		
O/	ENGR: JAY LAUER		
F/	S.O.:		
REFERENCE	CAD I.D. B67723-0		